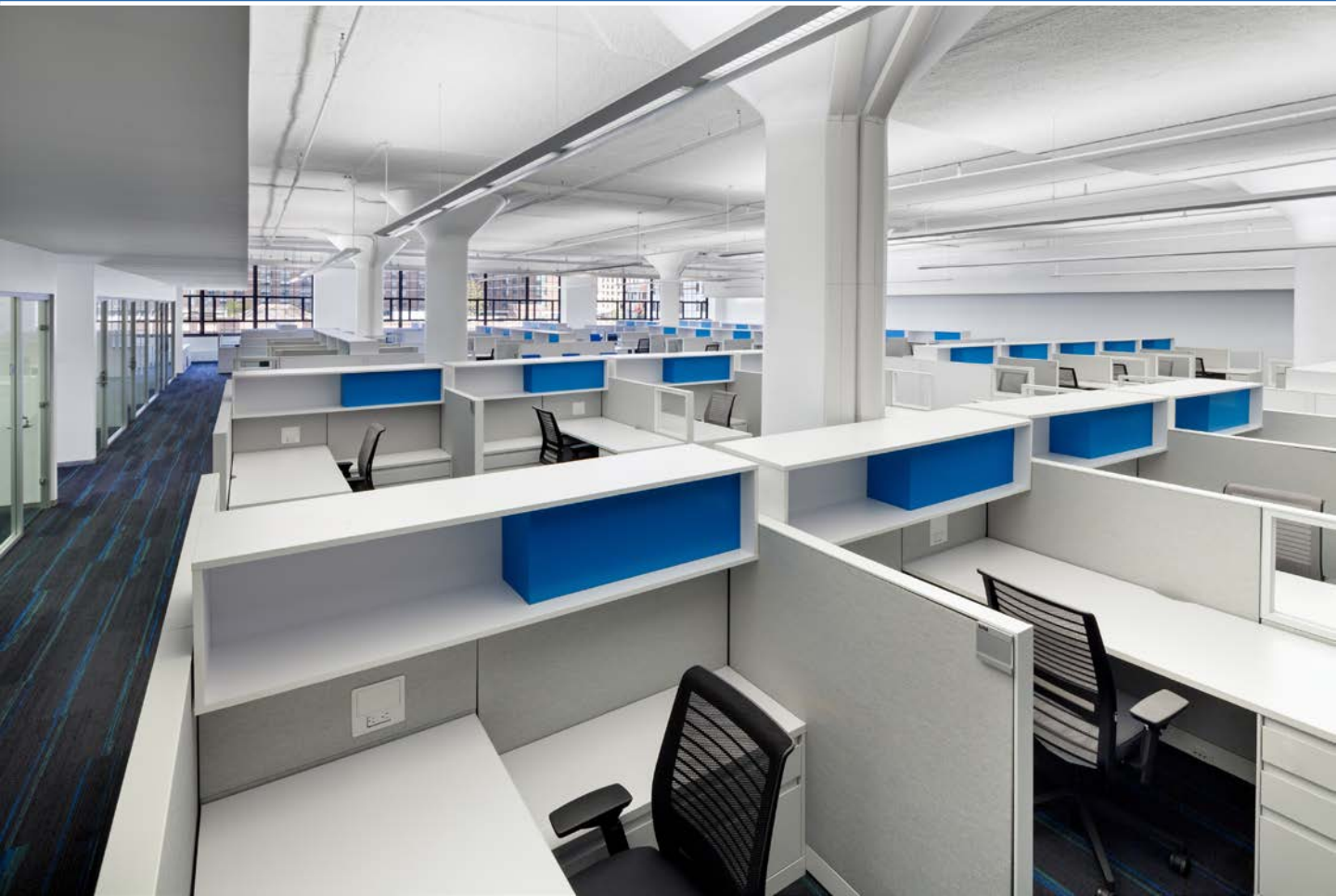




LIGHTING LOOKBOOK 2023 26 50 00A



COLUMBIA UNIVERSITY
Facilities and Operations





This booklet contains CUFO pre-approved options for LED fixtures. Any fixture not specifically shown herein requires Design Development Phase approval from CPM and Operations prior to proceeding into Construction Drawings. No substitutions are permitted for LED fixture componentry (they must be Philips or Cree). Light fixtures with remote drivers will also require driver location approval prior to installation.

Ordering information is intended to represent the typical requirements of CU projects and does not relieve the Consultant of verifying suitability for the specific application or the lead time.

TABLE OF CONTENTS

01

STANDARD LIGHTING FIXTURES

- Recessed Fixtures
- Suspended Fixtures
- Recessed Downlight Fixtures
- Cove Fixtures
- Surface Mounted Fixtures

02

SPECIALTY LIGHTING FIXTURES

- Decorative Fixtures
- Signage Illumination Fixtures
- Undercabinet Fixtures
- Mechanical Rooms Fixtures
- Exterior Fixtures

LEGEND:

- \$ Economical
- \$\$ Mid-range
- \$\$\$ Premium

*RD Remote driver installation is required. Location approval is mandatory.

01
ARCHITECTURAL LIGHTING



Recessed Fixtures

Manufacturer: Day-Brite

Model: EvoGrid

Quickship: Yes

Cost: \$

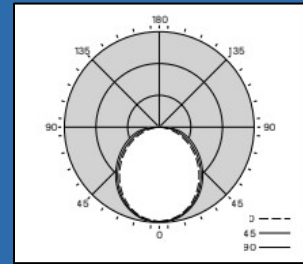
(For retrofit version see EvoKit)



Ordering guide

Width	Family	Ceiling Type	Air Function	Lumens (nominal delivered)	Color	Length	Center Diffuser	Voltage	Driver
2	EV	G	blank	30L	835 -	2 -	D -	UNV -	DIM -

Recessed Fixtures
 Manufacturer: Day-Brite
 Model: FluxGrid
 Quickship: Yes
 Cost: \$



Ordering guide

Width	Family	Ceiling Type	Air Function	Lumens (nominal delivered)	Color	Length	Center Diffuser	Voltage	Driver
2	FG	G	Blank	30L	835	2	DS	UNV	DIM

Recessed Fixtures
 Manufacturer: Day-Brite
 Model: FluxPanel
 Quickship: Yes
 Cost: \$



Ordering guide

Width	Family	Lumens	Color	Length	Diffuser	Voltage	Driver
2	FPZ	48L	835 -	4 -	DS -	UNV -	DIM -

Recessed Fixtures

Manufacturer: Day-Brite

Model: ClearAppeal

Quickship: Yes (2x2 recessed only)

Cost: \$\$



Ordering guide

Width	Family	Ceiling Type	Lumens (nominal delivered)	Efficacy	Color	Length	Center Diffuser	Voltage	Driver
2	CAX	G	30L	835	835 -	2 -	DS -	univ -	DIM -

Recessed Fixtures
Manufacturer: Ledalite
Model: PureFX
Quickship: No
Cost: \$\$

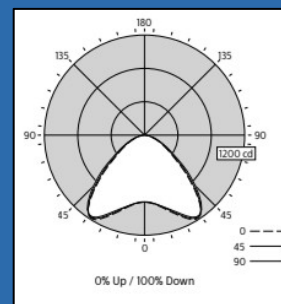
Link: [PureFX - Architectural | Ledalite - Signify](#)



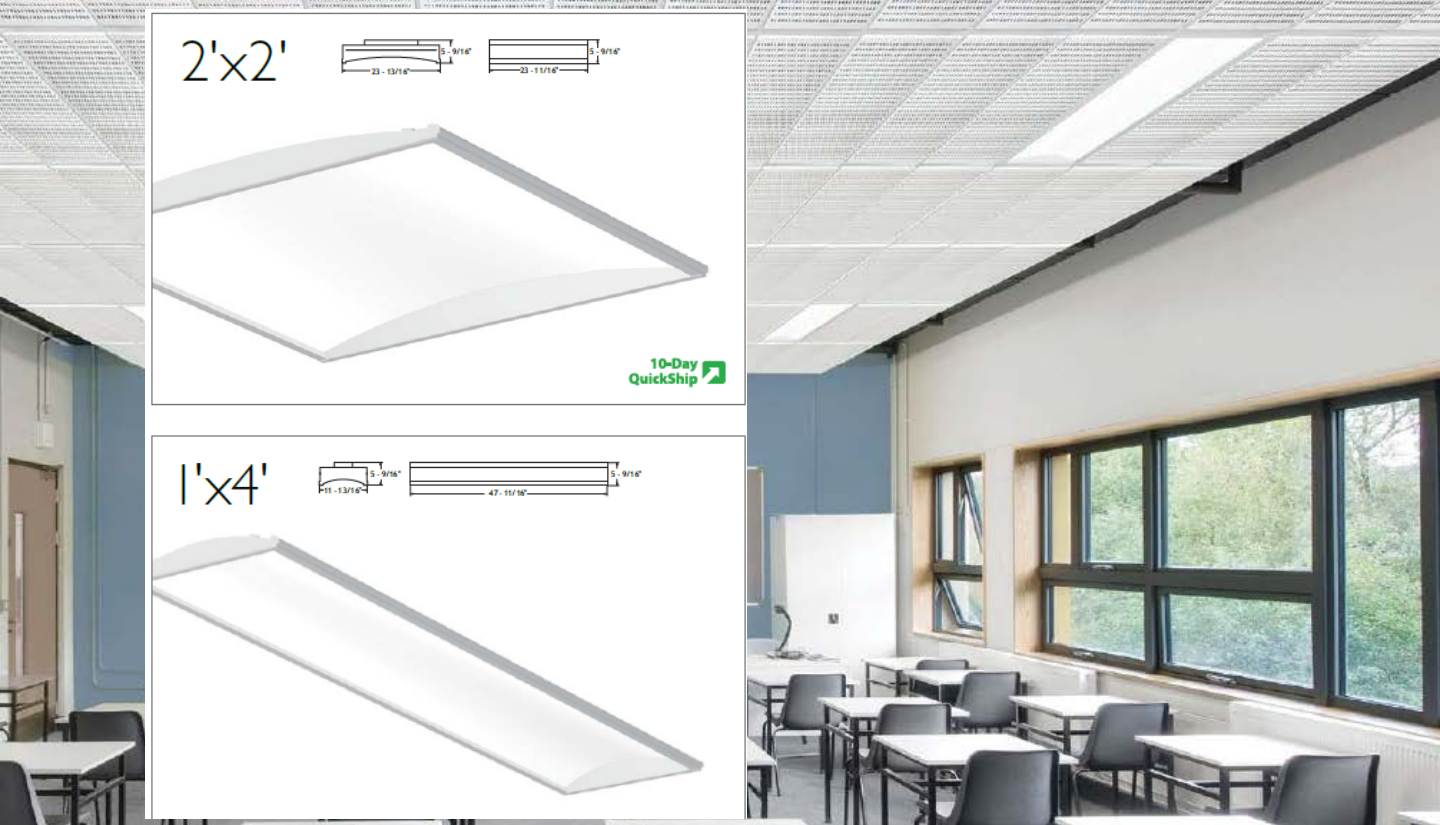
Ordering guide (For Recessed 2 x 2)

Family	Size	Version	Configuration	Source	CR/CCT ¹	Lumens ¹	Housing	Wiring ²	Voltage	Driver	Option
94	22	D1	ST	L	B	36	S	7	D	E	-

Recessed Fixtures
 Manufacturer: Ledalite
 Model: ArcForm
 Quickship: Yes (2x2 recessed only)
 Cost: \$\$\$



Link: [ArcForm - Architectural | Ledalite - Signify](#)



Ordering guide

Family	Size	Version	Configuration	Source
36 ArcForm	14 1' x 4'	D1 Standard T-grid	ST Standalone	L LED
	22 2' x 2'	D2 Slot T-grid		
		C1 Standard T-grid + Chicago Plenum		
		C2 Slot T-grid + Chicago Plenum		
CRI/CCT	Lumens	Optics	Circuit/Wiring Option	
950 CRI 90, 5000K	45 4500lm	Q MesoOptics with 3D batwing	7 Single circuit	
940 CRI 90, 4000K	35 3500lm		N Single circuit + Battery pack	
935 CRI 90, 3500K	30 3000lm			
920 CRI 90, 2000K				
927 CRI 90, 2700K				
Voltage	Driver	Option	System/Controls	
D UNV 120-277V	E Advance Xitanium 0-10V (1% Dim)	N None	NN None	
3 347V				

*Please refer to exclusions.

Recessed Fixtures
Manufacturer: Ledalite
Model: SilkSpace
Quickship: Yes
Cost: \$\$\$



Ordering guide

Family	Size	Version	Configuration	Source	CRI/CCT ¹	Lumens ¹	Housing	Wiring ²
42	22	D1	ST	L	8B	E	S	7

Voltage	Driver ^{2,3}	Option
D	E	-

Suspended Fixtures
 Manufacturer: Ledalite
 Model: SyncLine
 Quickship: Yes
 Cost: \$



Ordering guide

Family	Source	CR/ CCT ¹	Lumens ¹	Optics	Distribution	Run Length	Wiring ²	Voltage	Driver
7406	L	B	E	Q	G	4	7	D	E

Finish	Mount Type	Suspension
W		
	A1 Non-accessible ceiling, 0°-15° Slope Mount	24 24"
	A2 T-grid Fixed Position Mount	48 48"
	A3 Non-accessible ceiling, 0°-90° Slope Mount	96 96"
	A5 T-grid 24" Span Mount (non tegular tile only)	144 144"
	A6-1 T-grid On-grid Mount 15/16" (non tegular tile only)	
	A6-2 T-grid On-grid Mount 9/16" (non tegular tile only)	
	A6-3 T-grid On-grid Mount 9/16" x 5/16" (slot tee & tegular tile)	

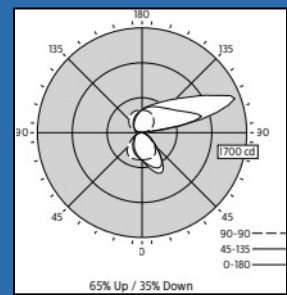
Suspended Fixtures
 Manufacturer: Ledalite
 Model: FloatPlane
 Quickship: Yes
 Cost: \$



Ordering guide

Family	Version	Source	CRI/CCT ¹	Lumens ¹	Optics	Distribution	Run Length
24	G	L	B	E	A	A	4
Wiring Option ^{2,7}	Voltage	Driver	Finish	Option	System / Controls ¹⁰		
7	D	E	W	N	NN		

Suspended Fixtures
 Manufacturer: Ledalite
 Model: BoldPlay
 Quickship: Yes
 Cost: \$\$\$



Ordering guide

Family	Source	CRI/CCT ¹	Lumens ¹	Optics	Distribution	Run Length	Wiring ²
7806	L	B	E	Q	G	4	7

Voltage	Driver	Finish	Options	Sensor	Mount Type	Suspension
D	E	W	N	-		
A1 Non-accessible ceiling, 0°-15° Slope Mount A2 T-grid Fixed Position Mount A3 Non-accessible ceiling, 0°-90° Slope Mount A5 T-grid 24" Span Mount (non tegular tile only) A6-1 T-grid On-grid Mount 15/16" (non tegular tile only) A6-2 T-grid On-grid Mount 9/16" (non tegular tile only) A6-3 T-grid On-grid Mount 9/16" x 5/16" (slot toe & tegular tile)						24 24" 48 48" 96 96" 144 144"

Suspended / Recessed / Surface Fixtures

Manufacturer: Ledalite

Model: TruGroove

Quickship: Yes (pendant only)

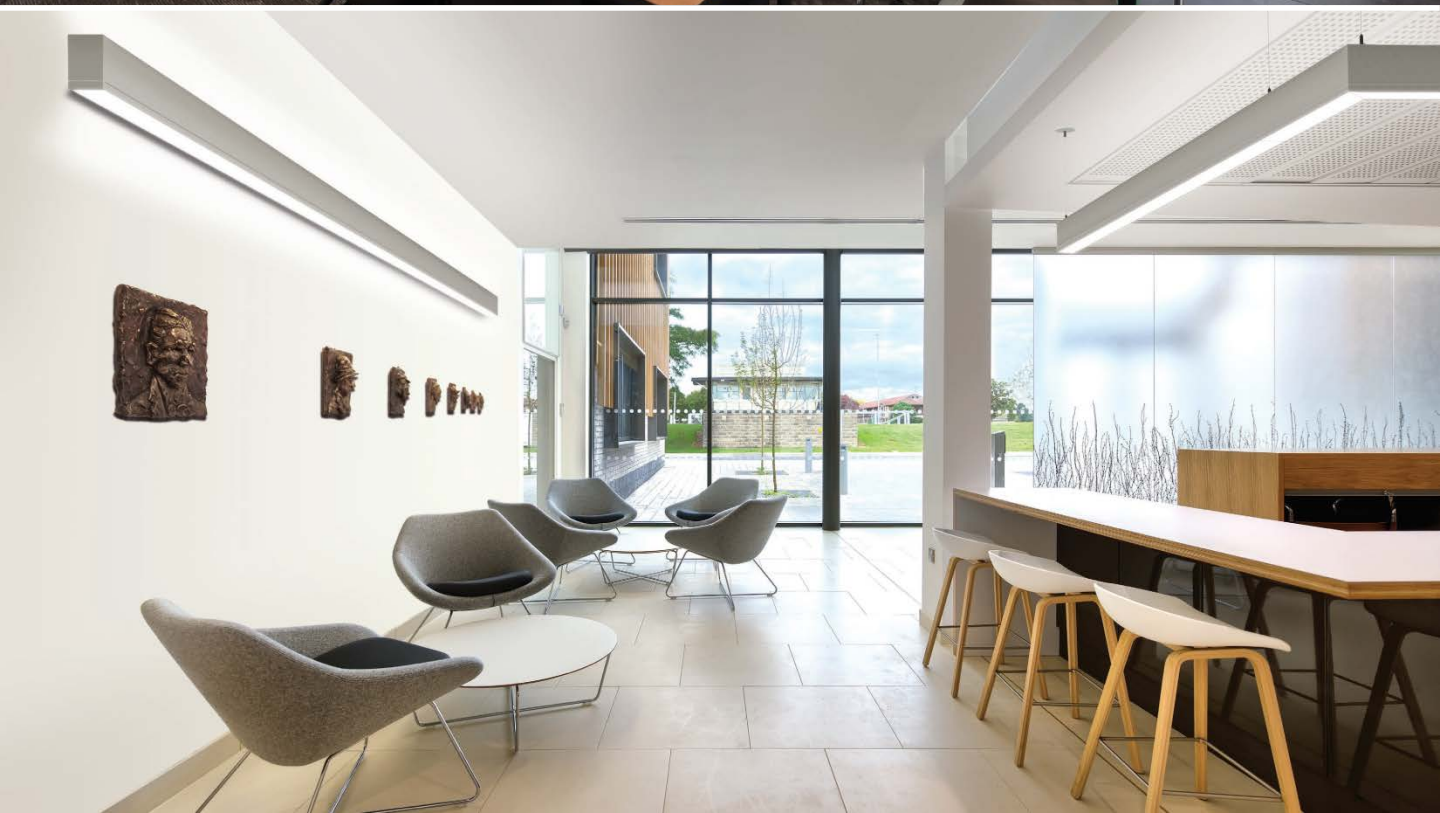
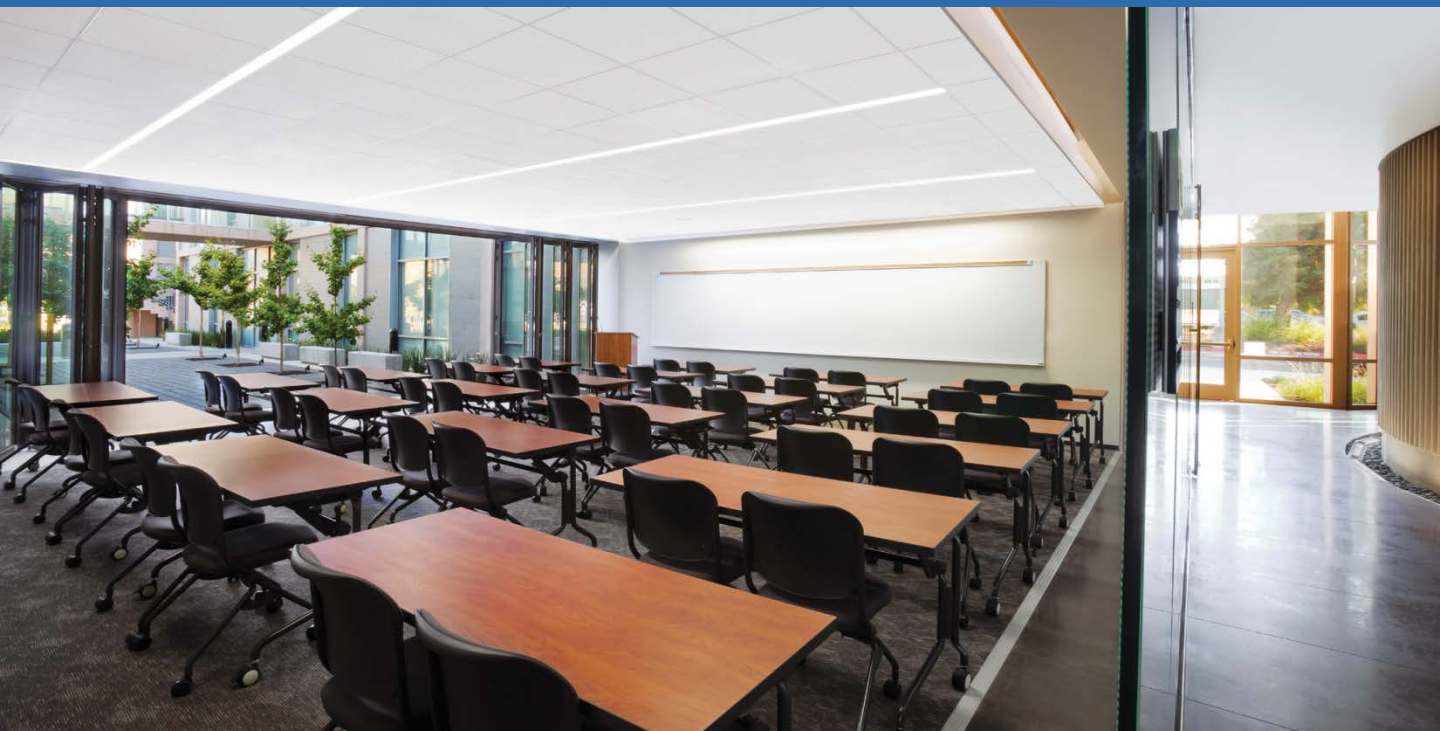
Cost: \$\$\$

Link: [TruGroove suspended - Architectural linear | Ledalite - Signify](#)



TruGroove Images

Recessed / Surface



Suspended / Recessed / Surface Fixtures

Manufacturer: Ledalite

Model: TruGroove Micro

Quickship: Yes (pendant only)

Cost: \$\$\$

Link: [TruGroove suspended micro - Architectural linear | Ledalite - Signify](#)



Suspended / Surface Fixtures

Manufacturer: Ledalite

Model: ModiFly

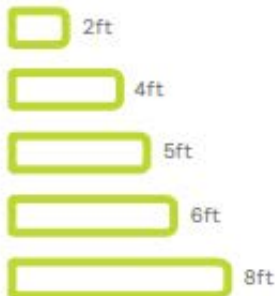
Quickship: Yes

Cost: \$\$\$

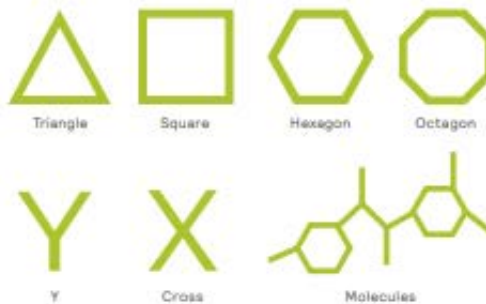
Link: [ModiFly suspended - Suspended | Ledalite - Signify](#)



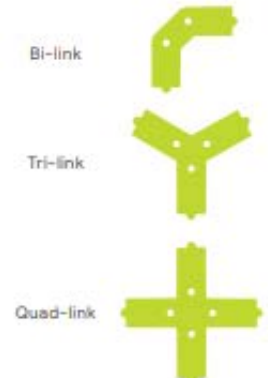
Suspended & wall lengths



Predefined & custom shapes



Articulating links



Cove Fixtures

Manufacturer: Ledalite

Model: TruGroove Cove

Quickship: No

Cost: \$\$

Link: [TruGroove cove - Cove/perimeter | Ledalite - Signify](#)



Family	Version	Distribution	Source	CRI/CCT ¹																				
TC	0	8	L	935																				
Lumens ¹	Optics	Housing	Ceiling/Trim	Run Length																				
25	WN	S	N	XX																				
				<table border="0"><tr><td>C2</td><td>2ft</td><td>04</td><td>4ft</td></tr><tr><td>C2</td><td>2.5ft</td><td>05</td><td>5ft</td></tr><tr><td>C3</td><td>3ft</td><td>06</td><td>6ft</td></tr><tr><td>C3</td><td>3.5ft</td><td>08</td><td>8ft</td></tr><tr><td>XX</td><td colspan="3">Continuous run in 6" increments † (please specify)</td></tr></table>	C2	2ft	04	4ft	C2	2.5ft	05	5ft	C3	3ft	06	6ft	C3	3.5ft	08	8ft	XX	Continuous run in 6" increments † (please specify)		
C2	2ft	04	4ft																					
C2	2.5ft	05	5ft																					
C3	3ft	06	6ft																					
C3	3.5ft	08	8ft																					
XX	Continuous run in 6" increments † (please specify)																							
Voltage	Driver	Circuit ²	Wiring Option ²	System/Controls	Finish																			
D	E	1	N	NN	N																			

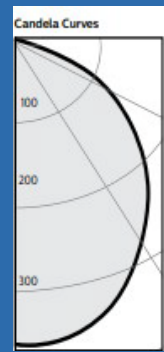
Recessed Downlight Fixtures

Manufacturer: Lightolier

Model: CorePro

Quickship: Yes

Cost: \$



Link: [CorePro LED Downlight - General purpose downlighting | Lightolier - Signify](#)



New Construction and Retrofit

Ordering guide

example: CP4RB07830W

Catalog Number	Aperture	CRI	CCT	Lumens	System Watts (Max)	Efficacy (lm/W)	Voltage
CP4RB07830W	4-inch	80	3000K	800lm	11	73	120

Recessed Downlight Fixtures

Manufacturer: Lightolier

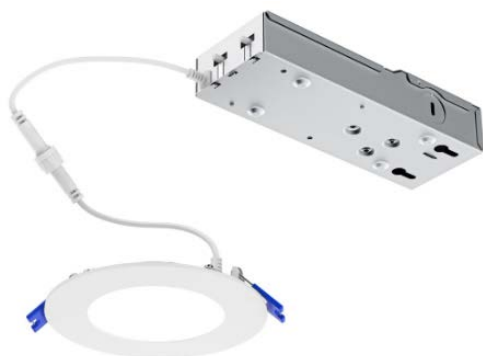
Model: Flat Downlight

Quickship: Yes

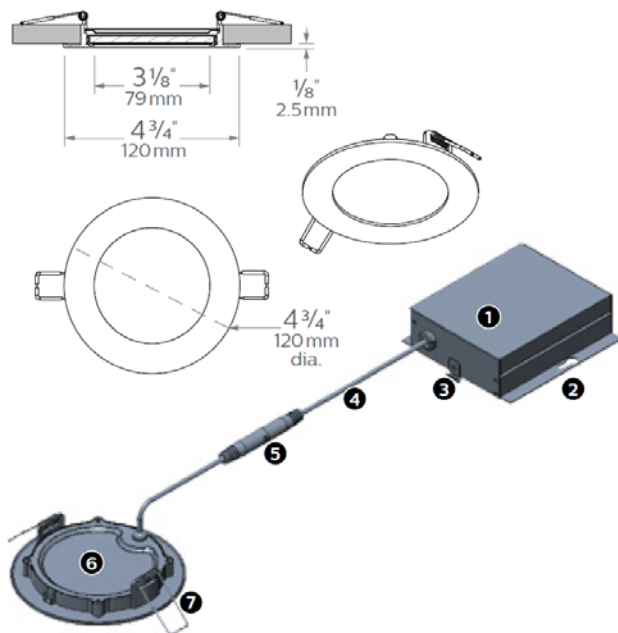
Cost: \$

Link: [Flat Downlight dual select LED - General purpose downlighting | Lightolier - Signify](#)

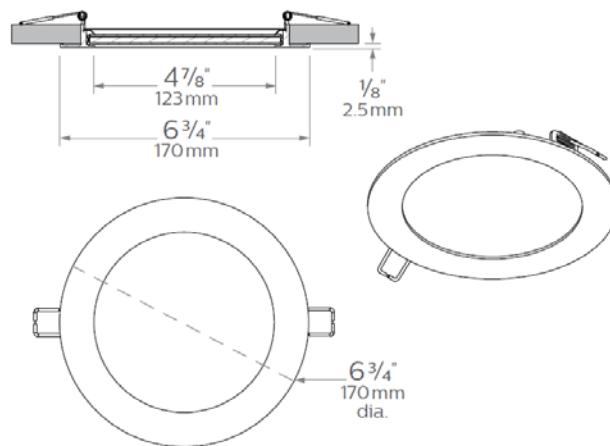
For shallow clearance, round or square



Flat Downlight 4"



Flat Downlight 6"



Components

1. Electrical Box with knockouts
2. Mounting keyhole
3. Remodel NEC clip
4. 19.5" (0.5m) cord
5. Locking power connector
6. Integrated LED Luminaire
7. Spring clip for easy mounting

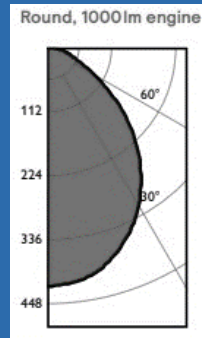
Recessed Downlight Fixtures

Manufacturer: Lightolier

Model: LyteCaster

Quickship: Yes

Cost: \$\$



Link: [LyteCaster LED Downlight - General purpose downlighting | Lightolier - Signify](#)

New Construction



Retrofit



Ordering guide (for 4" Round New Construction w/ screws)

Housing

Series	Lumens	Installation (all with AirSeal IC)	Dimming	Version
L4R	10	A	E	VA

Downlight Light Engine

Series	Lumens	CRI/CCT	Finishes	Version
L4R	10	935	-	VB

Trim (for downlights only)

Series	Style/Finish/Flange
L4R	DD



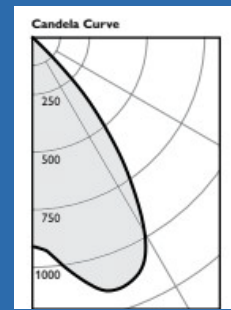
Recessed Downlight Fixtures

Manufacturer: Lightolier

Model: Calculite

Quickship: Yes

Cost: \$\$\$



Link: [Calculite LED 4" round gen 3 - Specification downlighting | Lightolier - Signify](#)

Includes adjustable accent lights and wall washers



Ordering guide (for 4" Round New Construction)

Frame

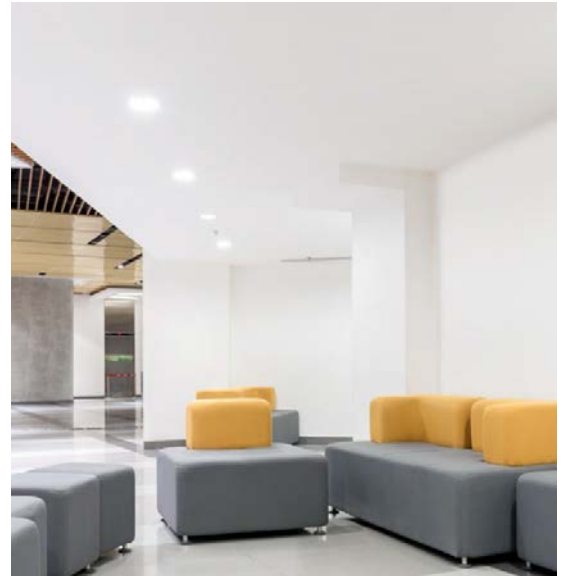
Series	Installation	Voltage / Options
4R	N	-

Engine

Series	Lumens	CRI	CCT	Beam	Dimming	Options	Voltage
C4L	15	8	35	W	Z10	-	U

Trim

Series	Aperture	Style	Finish	Flange
C4	R	DL	CL	-



Surface Fixtures

Manufacturer: Ledalite

Model: FluxStream

Quickship: Yes

Cost: \$

Link: [FluxStream LED Strip - Strip | Day-Brite CFI - Signify](#)



Ordering guide

Series	Length (nominal)	Lumens ² (nominal)	Color temp. (K)	Voltage	Driver
FSS	4	40L	835 -	UNV -	DIM -

Surface Mounted Downlight

Manufacturer: Lightolier

Model: SlimSurface

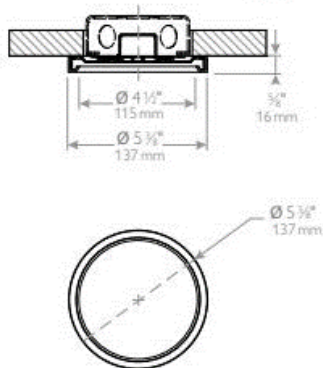
Quickship: Yes

Cost: \$\$

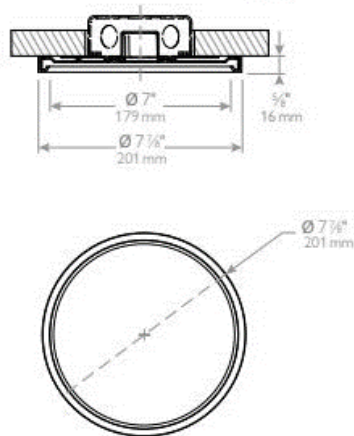
Link: [SlimSurface LED Downlight - General purpose downlighting | Lightolier - Signify](#)



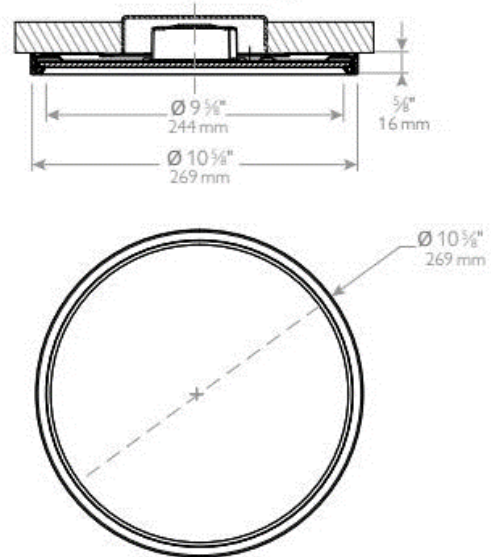
SlimSurface 5" round downlight



SlimSurface 7" round downlight



SlimSurface 10" round downlight



Ordering guide

example: S5R830K7WH

Family	CRI / CCT	Lumens	Finish	Dimming
<input type="checkbox"/>	835	10	<input type="checkbox"/>	<input type="checkbox"/>
S5R SlimSurface 5" Round	827K 80 CRI / 2700K CCT	7 650lm (S5R only)	— White	— ELV / Triac (120V)
S7R SlimSurface 7" Round	830K 80 CRI / 3000K CCT	10 1000lm (S7R only)	AL Aluminum	
S10R SlimSurface 10" Round	835K 80 CRI / 3500K CCT	22 2200lm (S10R only)	BK Black	
	840K 80 CRI / 4000K CCT		MT Metallic*	
	927K 90 CRI / 2700K CCT		W White	Z10U 0-10V (120V-277V)
	930K 90 CRI / 3000K CCT		AL Aluminum	
			BK Black	
			MT Metallic*	

* Only available with 10" (S10R) configurations.

Surface Mounted / Pendant

Manufacturer: Lightolier

Model: Calculite Series

Quickship: No

Cost: \$\$

Link: [Lightolier Calculite LED downlight products | Signify Company Website](#)



Ceiling-mount



Downlight

Wall Wash

Adjustable
Accent

Wall-mount



Downlight
(direct/indirect)

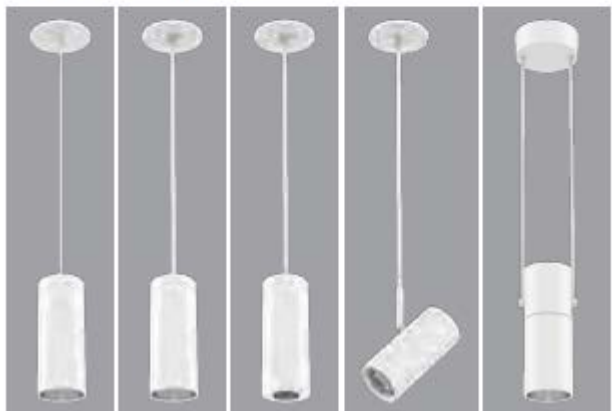
Wall Wash
(direct/indirect)

Adjustable
Accent

Downlight
(direct/indirect)

Wall Wash
(direct/indirect)

Pendant-mount



Downlight
with cable

Downlight
with stem

Wall Wash
with stem

Adjustable
Accent
with stem

Suspended
with cable
(up/down)



Decorative Fixtures

Manufacturer: Eurofase

Model: Verdura

Quickship: No

Cost: \$\$

Link: <https://www.eurofase.com/searchResult?q=verdura>

All sizes, colors and configurations



LIGHT SOURCE DETAILS

Light Source Type	:	INTEGRATED LED
Input Voltage	:	120V
Bulb Voltage	:	24V
Socket Type	:	LED
Total Wattage	:	70W
Delivered Lumens	:	2025lm
Kelvin	:	3500K
CRI	:	90+
Dimmable	:	Yes

Colors:




Black

Gray

VERDURA

Small Round Chandelier 28"

43897-032

			
Chandeliers ● VERDURA ● MEDIUM ROUND CHANDELIER 43898-015	Chandeliers ● VERDURA ● LARGE ROUND CHANDELIER 43899-012	Chandeliers ● VERDURA ● 3-RING CHANDELIER 43900-015	Chandeliers ● VERDURA ● 5-RING CHANDELIER 43901-012

Decorative Fixtures
 Manufacturer: AFX
 Model: Loretto
 Quickship: No
 Cost: \$

Link: <https://www.afxinc.com/products/Search.cfm?searchString=loretto>

All sizes and colors



LIGHT SOURCE: Replaceable Bulb
 DIAMETER: 11.8"
 LENGTH: 0"
 WIDTH: 0"
 HEIGHT: 11.8"
 VOLTAGE: 120V
 BULB INCLUDED: No
 # of Bulbs: 1
 SOCKET TYPE: E26
 BULB SHAPE: A19
 DIMMING TYPE: TRIAC/ELV
 WATTAGE: 60W Max.
 FINISH: Satin Brass
 SHADE: White
 SHADE MATERIAL: Glass

Ordering Information:

Black	Satin Brass	Satin Nickel	Qty.	Lamp	H	DIA.
L RTP07M BBK	L RTP07M BSB	L RTP07M BSN	1	60W (MAX)	7"	7"
L RTP11M BBK	L RTP11M BSB	L RTP11M BSN	1	60W (MAX)	11-7/8"	11-7/8"

Signage Illumination Fixtures

Manufacturer: Sonneman
Model: Thin-Line LED Wall Bar

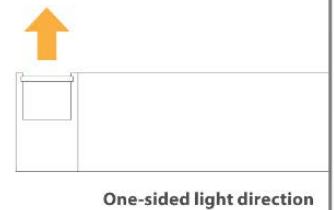
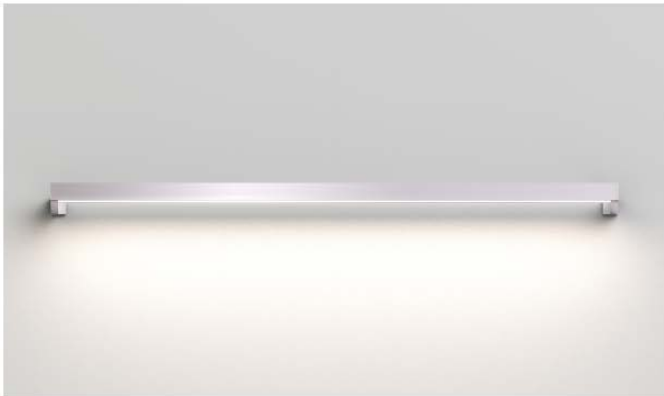
Quickship: No

Cost: \$

*RD

Link: [Thin-Line LED Wall Bar \(sonnemanlight.com\)](http://sonnemanlight.com)

All sizes and colors



Size

Choose an option... ▾

- 3' One-Sided
- 6' One-Sided
- 4' One-Sided
- 8' One-Sided
- 3' Two-Sided
- 4' Two-Sided
- 6' Two-Sided
- 8' Two-Sided

Color Temperature

Choose an option... ▾

- 3000K
- 2700K
- 3500K

Color/Finish

Choose an option... ▾

- Bright Satin Aluminum (.16)
- Satin Black (.25)
- Satin White (.03)

Undercabinet Fixtures
 Manufacturer: Day-Brite
 Model: Lincs
 Quickship: No
 Cost: \$

Link: [LINCS Undercabinet - Specialty healthcare | Day-Brite CFI - Signify](#)

All sizes



Ordering guide

Family	Length	Color	Voltage	Finish	Driver	Options
LINCS100E		935	UNV	WHG	DIM	

L10 10"
L19 19"
L28 28"

CSJT3^{1,2} SJT cord set hard-wired into back of fixture. UL listed as a portable fixture for use in office workstations (120V only)
OSC^{3,4} Integral occupancy sensor control for UNV linking
OSHL^{3,4} Integral occupancy sensor control for UNV, hard wired
RSW^{4,5} Rocker switch (on/off) for linked input power, controls only this fixture
RSLL^{4,5} Rocker switch for hard linked input power, controls fixtures in the linked circuit
RSH^{4,5} Rocker switch for hard wired input power, controls only this fixture
RSHL^{4,5} Rocker switch for hard wired input power, controls fixtures in linked circuit
SBF Slow blow fuse

Undercabinet Fixtures

Manufacturer: Jesco

Model: CBF

Quickship: Yes

Cost: \$

Link: [Bespoke Linear LED Fixtures - CBF - JESCO Lighting Group](#)

All sizes and configurations



Mechanical Room Fixtures
 Manufacturer: Day-Brite
 Model: Vaporlume LED V2
 Quickship: No
 Cost: \$\$

Link: [V2 Specification Vaporlume LED - Protected | Day-Brite CFI - Signify](#)



Ordering guide

Family	Application	Lens	Hubs Installed	Lumen Package	Color Temp.	Length	Voltage	Driver	Options
V2	W		35 L	835	4	UNV	- -	-	

A DR Acrylic
P Polycarbonate
L Enhanced LED Acrylic
E Ends only
T Top only
B Both ends and top

MD360W Wet location occupancy sensor, external
WHP Wide Beam Optic
EMLED³ Integral Emergency
IP67 Protection against effects of immersion
GLR Fusing, fast blow
TR Torx T-15 tamper resistant stainless steel latches (TPDH tamper proof driver required)
SNH200⁴ Integral EasySense occupancy & daylight sensor, with advanced SpaceWise type wireless grouping
IAI⁴ Integral Interact Industry daylighting and occupancy sensor, enables wireless connected lighting control

Accessories (order separately)

- **TBK** – Stainless Steel Top Bracket Kit (pair of brackets plus hardware)
- **EBK** – Stainless Steel End Bracket Kit (pair of brackets plus hardware)
- **WBK** – Stainless Steel Wraparound Bracket Kit (pair of brackets)
- **FKR-126** – Chain Hanger Set (requires TBK)
- **TPDTH** – Tamper proof driver, Torx T-15 head pin drive and handle (required with TR option)

Mechanical Room Fixtures

Manufacturer: Stonco

Model: Roughlite LED

Quickship: No

Cost: \$\$

Link: [RoughLyte LED - Vaportight | Stonco - Signify](#)



Ordering guide

Luminaire	Wattage	Generation	Voltage
<input type="text"/>	<input type="text" value="14"/>	<input type="text" value="NW-G1"/>	<input type="text" value="8"/>

VCXL Ceiling 4" box mounted

VWXL Wall 4" box mounted

Exterior Fixtures

Manufacturer: Gardco

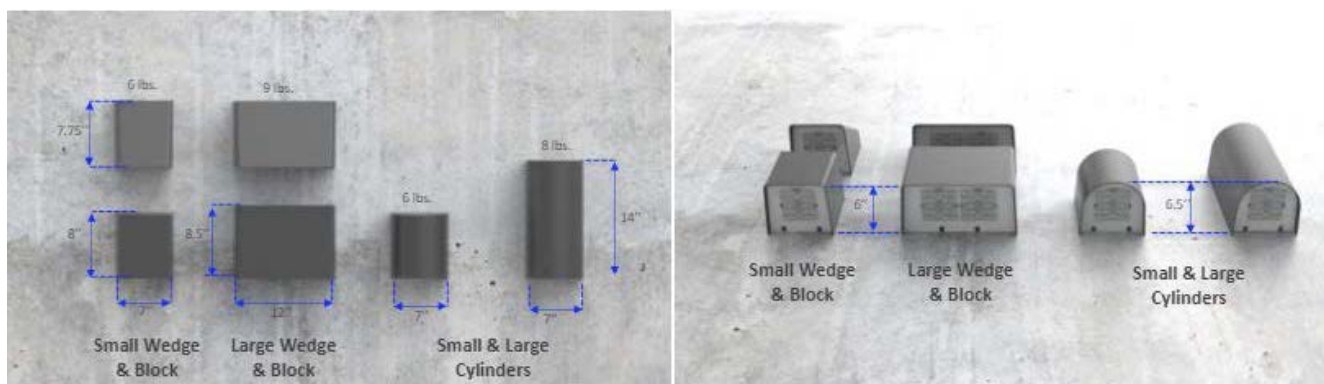
Model: GeoForm

Quickship: No

Cost: \$\$

Link: [Gardco | Signify](https://www.gardco.com/signify)

Dark Sky Compliance: **only CCTs 3000K and warmer are IDA Dark Sky Approved**



Precision Plus

Luminaire	Small Wedge	Small Block	Small Cylinder	Wedge Medium	Block Medium	Cylinder Medium
Precision Plus	✓	✓	✓	✓	✓	✓
Diffuse Lens	✓	✓	Not Available	Not Available	Not Available	Not Available
Lumens PP	1,750-6,500	1,750-6,500	1,750-6,500	2,900-12,700	2,900-12,700	1,750-6,500

Light Effects

Luminaire	Small Wedge	Small Block	Small Cylinder	Wedge Medium	Block Medium	Cylinder Medium
Light Effects	Not Available	✓	✓	Not Available	✓	✓
Uplight, wet location	Not Available	Available	Available	Not Available	Available	Available
Up and downlight	Not Available	Not Available	Not Available	Not Available	Available	Available
Lumens LE	--	700-2400	700-2400	--	700-2400	700-2400

GeoForm

Dark Sky Compliance: **only CCTs 3000K and warmer are IDA Dark Sky Approved**

Ordering guide

example: GBM-A06-840-T3M-UNV-FAWS-MG

Luminaire	Configuration Down (nom. lumens)	Color Temperature	Distribution Down	Configuration Up	Distribution Up	Voltage		
GBM								
GBM GeoForm Block Medium	Precision Plus optics							
	A06 2,500 lumens	830 80CRI 3000K	T2M Type 2 down only	None Leave blank for down only	None Leave blank for down only	120 120V		
	A07 4,000 lumens	840 80CRI 4000K	T3M Type 3 down only			208 208V		
	A08 5,000 lumens	740 70CRI 4000K	T4M Type 4 down only			240 240V		
	A09 6,000 lumens	750 70CRI 5000K				277 277V		
	A10' 7,500 lumens					347 347V		
	A11' 8,500 lumens					480 480V		
	A12' 9,500 lumens					UNV 120-277V (50/60Hz)		
	A13' 11,000 lumens					HVU 347-480V (50/60Hz)		
	A14' 12,500 lumens							
	Light Effects optics (up OR down)							
	B01' 700 lumens	830 80CRI 3000K	WAW Wall Wash			None Leave blank for down only	None Leave blank for down only	
	B02' 1,000 lumens	840 80CRI 4000K	SPT Spot					
	B03' 2,200 lumens		PEN Pencil Beam					
	Light Effects optics (up AND down)							
B04 1,400 lumens	830 80CRI 3000K	WAW Wall Wash	U Uplight configuration to match downlight configuration			WAW Wall Wash		
B05 2,000 lumens	840 80CRI 4000K	SPT Spot		SPT Spot				
B06 4,400 lumens		PEN Pencil Beam		PEN Pencil Beam				

